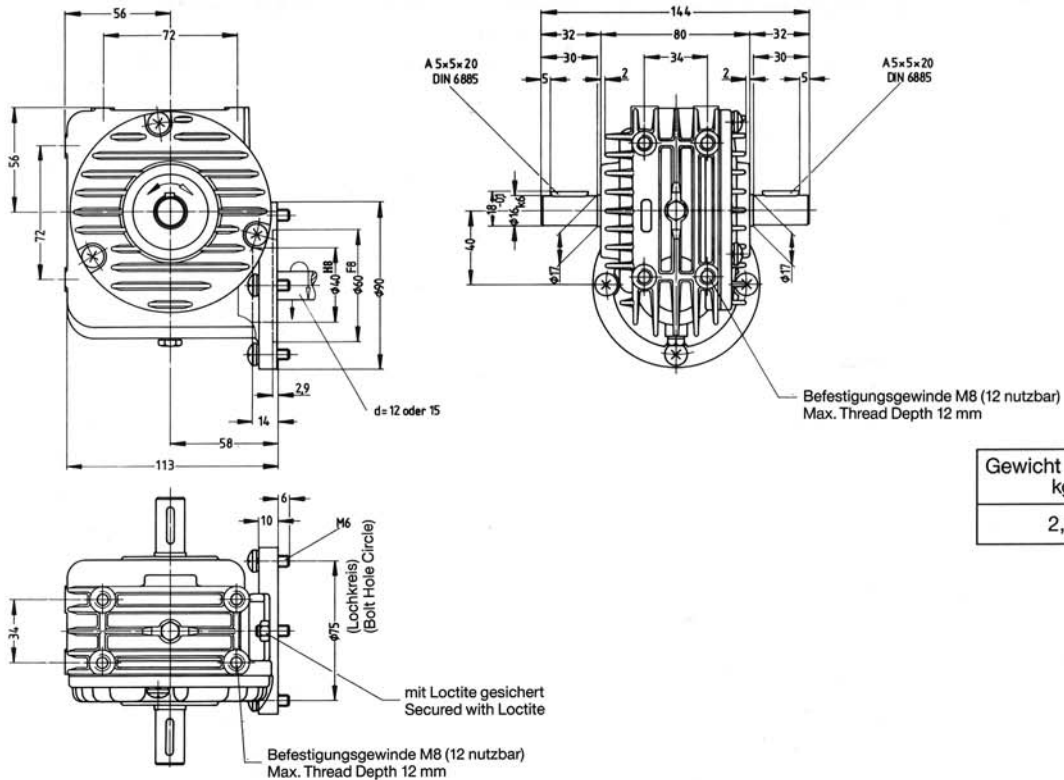


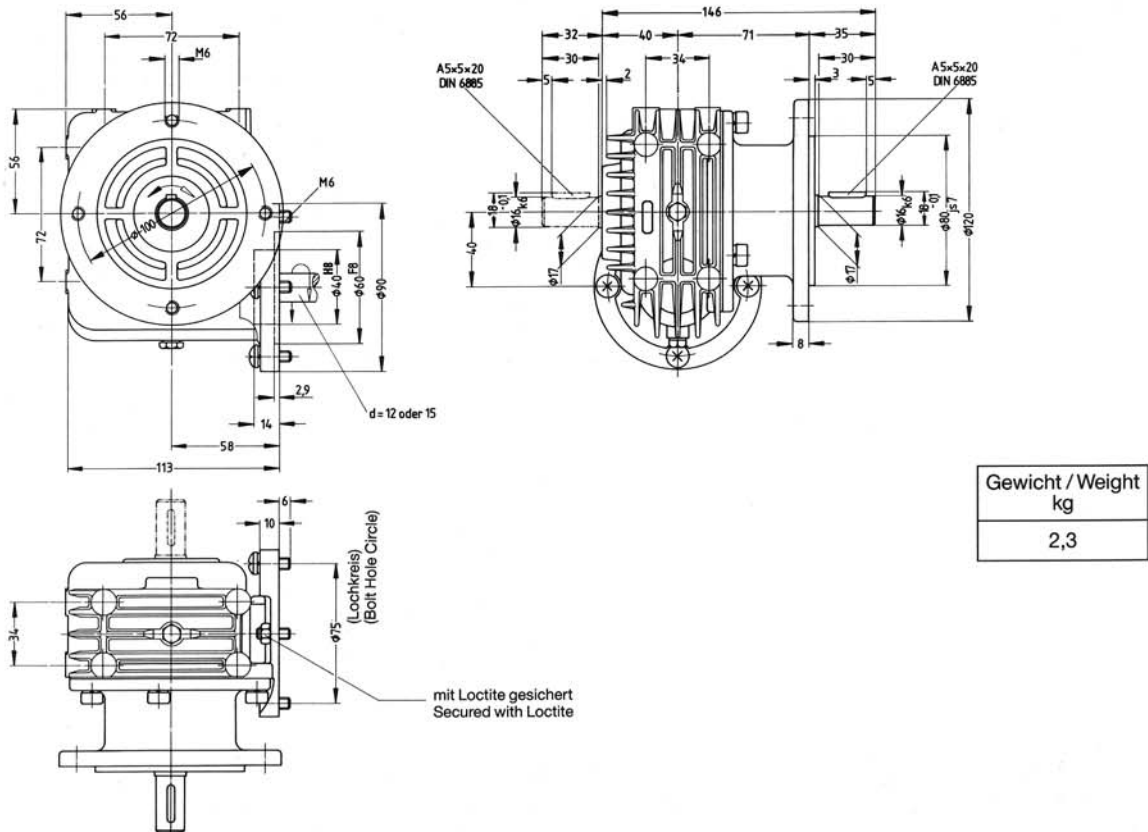


**Typ / Model E 44**



|                  |     |
|------------------|-----|
| Gewicht / Weight | kg  |
|                  | 2,0 |

**Typ / Model E 46**



|                  |     |
|------------------|-----|
| Gewicht / Weight | kg  |
|                  | 2,3 |

Maße ohne Toleranzangabe unverbindlich / Dimensions are in mm and are for reference only.